

AJ&D Chapelhow (Cliburn) Ltd

Crafting fine timber windows and doors since 1961

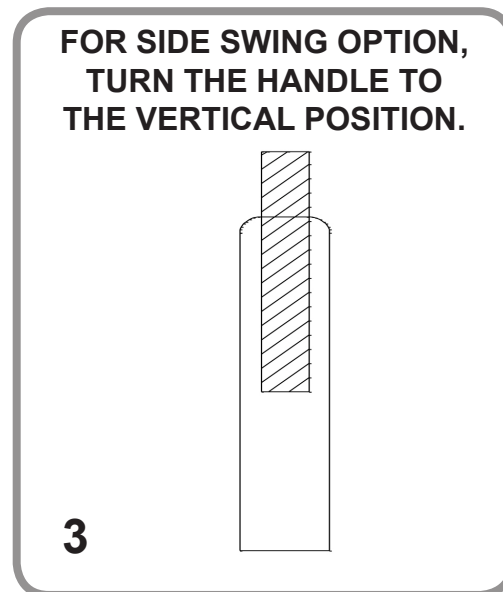
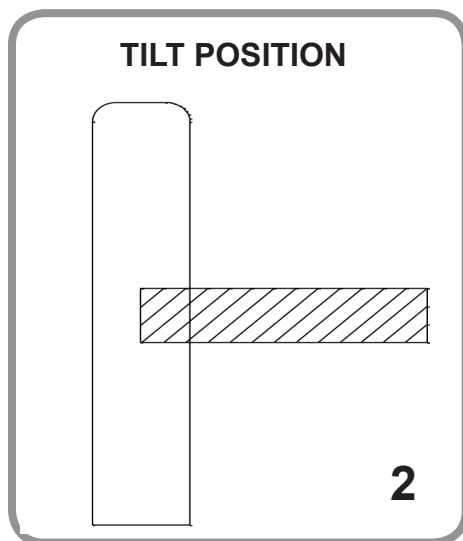
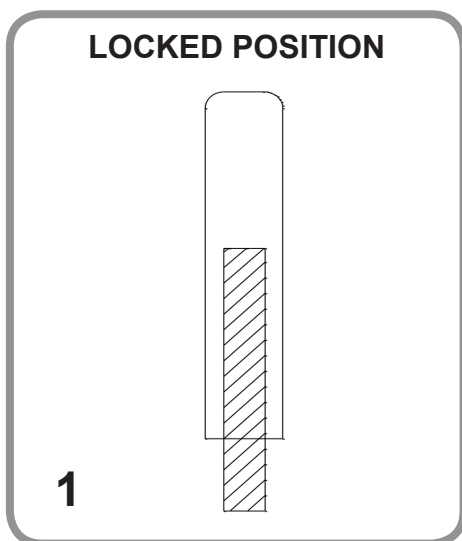
Tilt and Turn Window Operating Instructions

PLEASE NOTE:

- When the handle is in a downward position (1) and locked with the key, the sash cannot be opened in any position.
- When the handle is unlocked, the window can be opened in both the tilt (2) and side opening (3) .

IMPORTANT:

- Always Complete ONE operation before attempting the next.
- The sash must be completely closed before carrying out the second action.



PLEASE NOTE:

- It is the responsibility of the contractor / fixer to ensure that the information sheet is handed to the end user.
- For more information please contact us.

T: 01931 585 101 or 01931 714 289

Email: enquiries@ajdchapelhow.co.uk • www.ajdchapelhow.co.uk

LING PARK • CLIBURN • PENRITH • CUMBRIA • CA10 3AL